

APPLICATIONS - SURVEYING AND MAPPING



Mining



Agriculture



Water Body



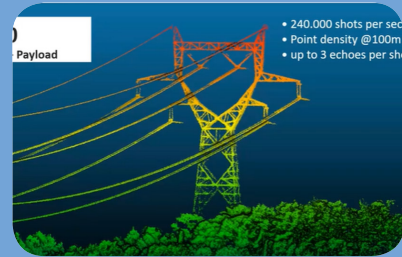
Forestry



Disaster



Mapping



Power Line



Flood



Railways

CLIENTELE



INDIA'S MOST SUCCESSFUL DRONE



TRINITY F90+

eVTOL. Fixed-wing. Mapping UAS.

Starting with the first version of the Trinity in 2016, we provided the basis for a highly efficient and at the same time affordable VTOL UAS without compromising on features. The Trinity F90+ leverages this platform and improves many aspects to offer professional users even more functionality at an unbeatable price.

The perfect weight balance keeps the rear rotor, which is solely used for the cruise flight during the mission, in the ideal thrust-to-size ratio in both VTOL and forward flight modes. The Trinity F90+ uses less energy, achieves longer flight times and thereby shows its outstanding value compared to other drones.

TRINITY F90+
eVTOL. Fixed-wing. Mapping UAS



HQ

261, Old Tehsil, Behind Id-gah, Delhi - Dehradun Main Road. Kashipuri Crossing, ROORKEE 247 667, INDIA
Phone: +91 1332 261277
Fax: +91 1332 264277
Email: info@apiroter.com

Delhi/NCR

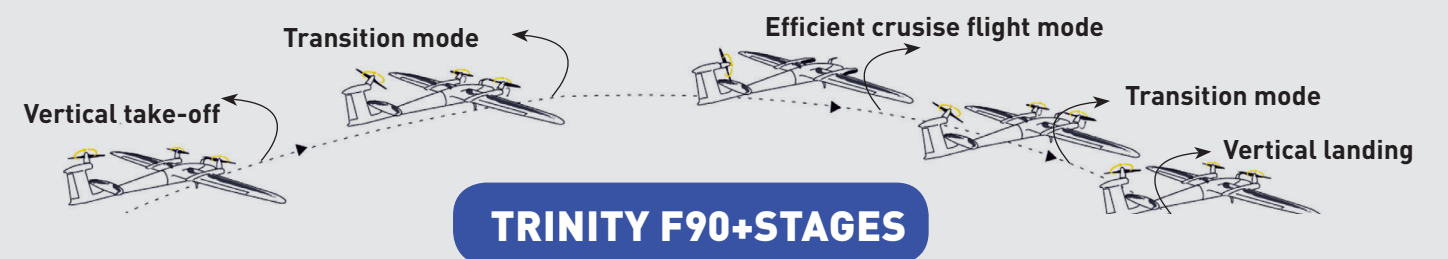
2nd floor, Utranchal Plaza, No. S3, Plot No. BCS1A, Vasundhara, Ghaziabad DELHI-NCR 201 012
Phone: +91 120 4110483
Email: info@apiroter.com

Hyderabad

Flat No. 101, H.No. 3-6-611/12, First Floor, KGN Plaza, Street No. 8, Himayatnagar, HYDERABAD - 500 029
Phone: +91 40 2766 2720, 6666 0720
Fax: +91 40 4004 7659
Email: info@apiroter.com

Bengaluru

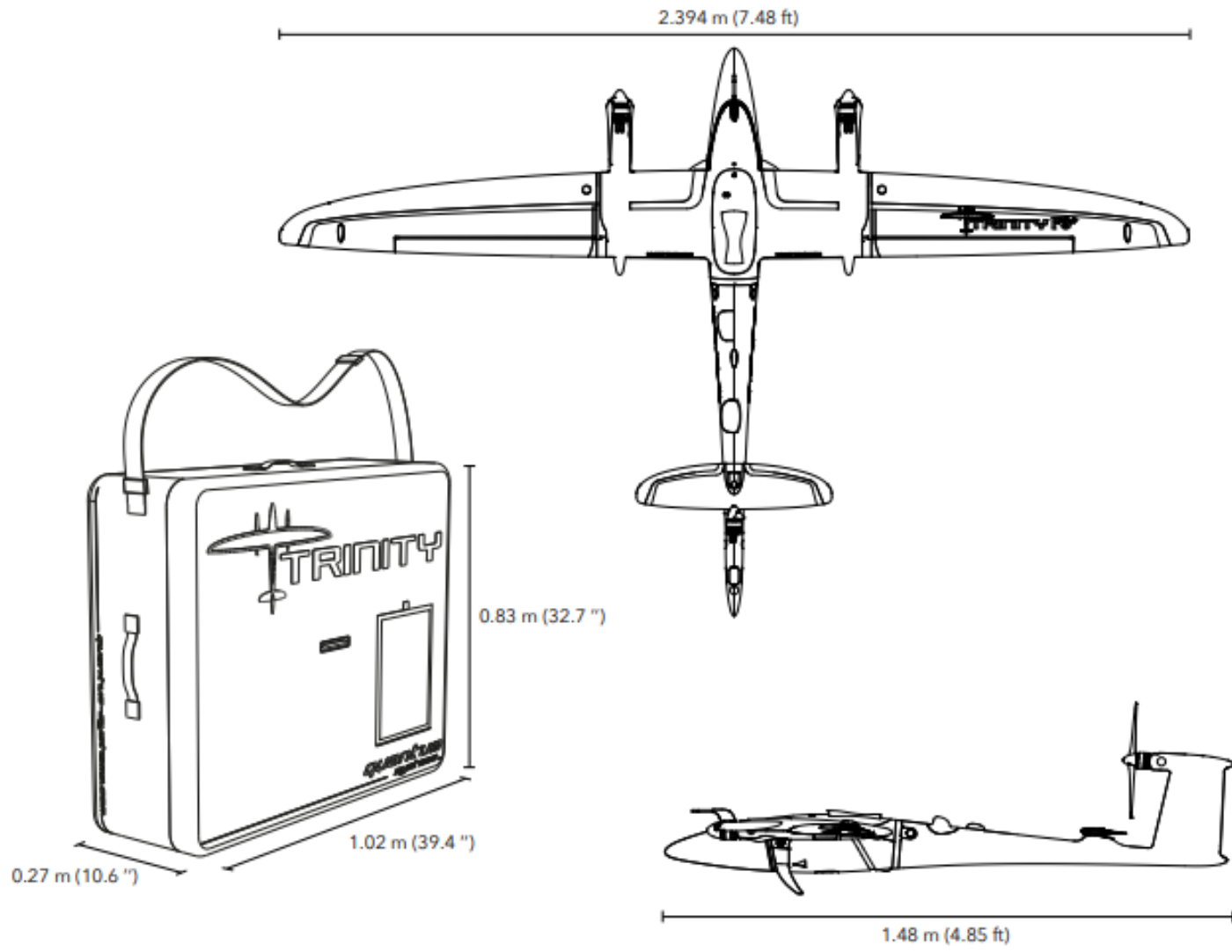
No. 4C-1010/1008, HRBR Layout, 1 st Block, Horamavu Main Road, BENGALURU - 560 043
Phone: +91 9820446096
Email: info@apiroter.com



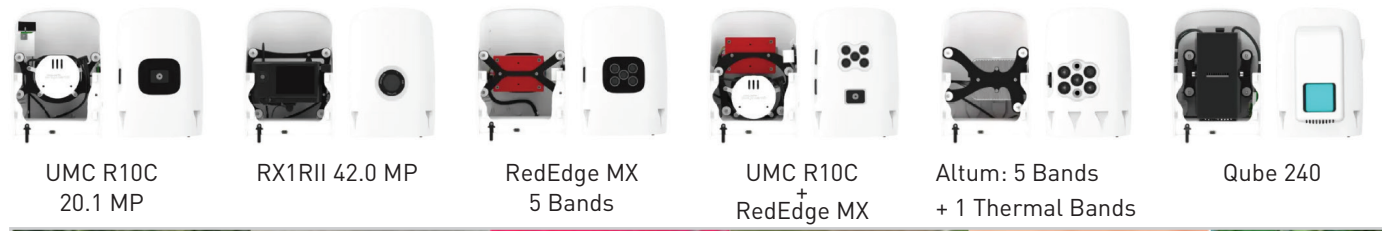
ABOUT ROTER

Erstwhile known as Ansari Precision Instruments Private Limited part of the ROTER GROUP OF COMPANIES was established in early 1978 with an explicit focus on providing surveying solutions in niche areas by integrating surveying hardware, software application, and consultation services.

With 42 years of experience in providing quality surveying solutions and services, which recently includes modern automatic data acquisition in the field of Underground Surveying & Infrastructure Development, Underground Utility Mapping, IoT of Mines & Monitoring, etc.



Sensors/Payload



RGB Multispectral LiDAR

TECHNICAL DATA

| Trinity F90+ | |
|---|--|
| Max. Take-off Weight | 5.0 kg (11.0 lbs) |
| Max. Flight Time | 90+min ¹ |
| Max. Range=Max. Coverage | 100 km=700 ha |
| Maximum Flight Altitude (MSL) | 4500 m (14763.8 ft) ² |
| Command and Control Range | 5-7.5 km ³ (3.1-4.7mi) |
| Payload | max.700 g (1.54 lbs) |
| Optimal Cruise Speed | 17 m/s (33 kn) |
| Wind Tolerance (ground) | up to 9 m/s (17.5 kn) ² |
| Wind Tolerance (cruise) | 12 m/s (23.3 kn) |
| Battery Weight | 1.5 kg (3.3 lbs) |
| Telemetry link & RC Transmitter Frequency | 2.4 GHz |
| Telemetry link (OBase Modem) Power | max. 100 mW ⁴ |
| Operating Temperature Range | -12°C to 50°C (10.4° F to 122°F) ⁵ |
| Wingspan | 2.394 m (7.85 ft) |
| Transport Case Dimension | 1002x830x270 mm [39.4x32.7x10.6 inch] |

